

FFB 428 S

Aluminium boat



FLAMMIFER



Characteristics

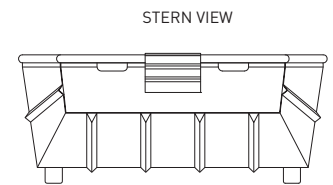
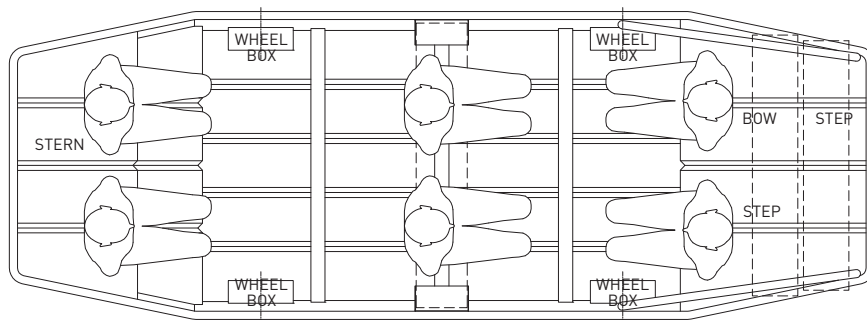
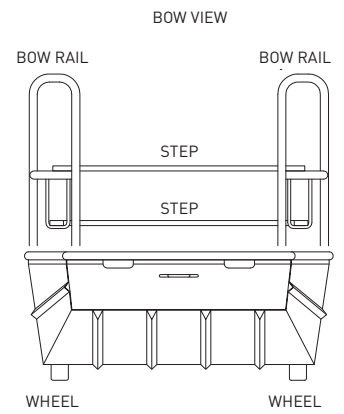
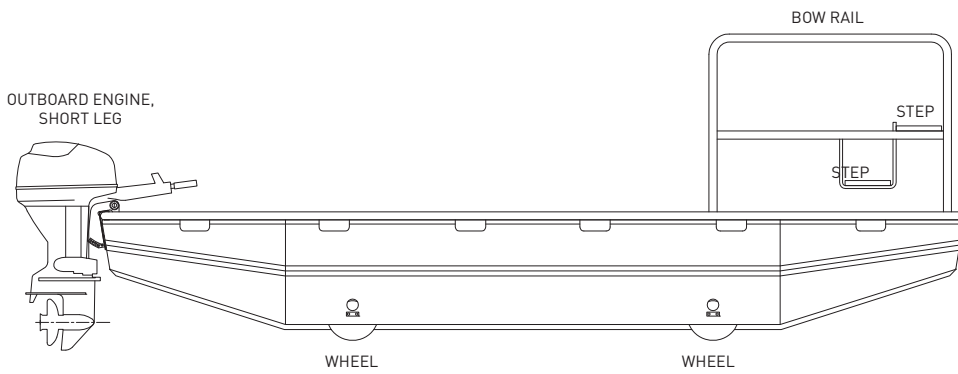
- ❖ Boat FFB 428 S is designed for flood rescue operations and its shape allows easy docking.
- ❖ Two bow rails to facilitate the boarding off the boat, wooden crossbenches.
- ❖ The boat is designed for propulsion by outboard engine with max. power up to 10 hp, which facilitate maneuvering in flooded areas and allow the transport of up to 6 persons.



Flammifer d.o.o • Ulica akademika Milana Heraka 22 • 47280 Ozalj • Croatia

Tel.: +385 (0)47/731-048 • +385 (0)47/731-068 • +385 (0)47/ 731-088 • Fax: +385 (0)47/731-008 • GSM: +385 (0)91/6645-631

www.flammifer.com • www.facebook.com/FlammiferOzalj • sales@ flammifer.hr



Features

- ❖ Construction material: aluminium alloy for shipbuilding
- ❖ Two buoyancy chambers with the capacity of approx. 500 litres
- ❖ Boats' decks and bottom are made of slip resistant corrugated sheet metal
- ❖ The boat has two removable bow rails to facilitate the boarding off the boat
- ❖ The boat is equipped with 4 pneumatic wheels, for easier movement on rugged and slippery terrain

Dimensions FFB 428 S

Length	4,28 m
Width	1,52 m
Height without bow rails	0,47m
Load draft	0,23 m
Boat weight (without engine)	128 kg
Max. capacity:	6 persons
Max. engine power:	10 KS / 7,35 kW
Recommended engine power	6 KS / 4,41 kW

